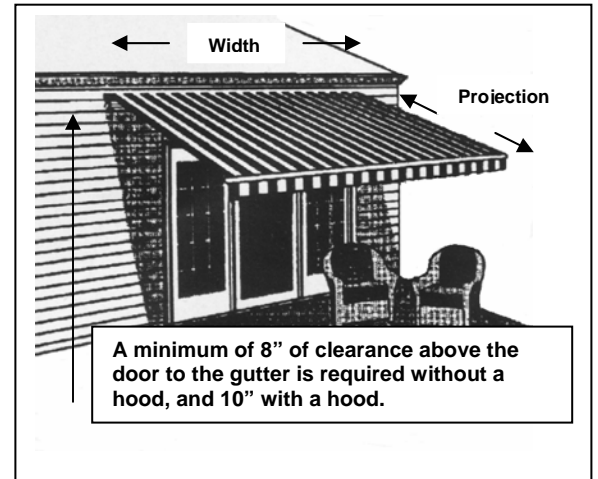


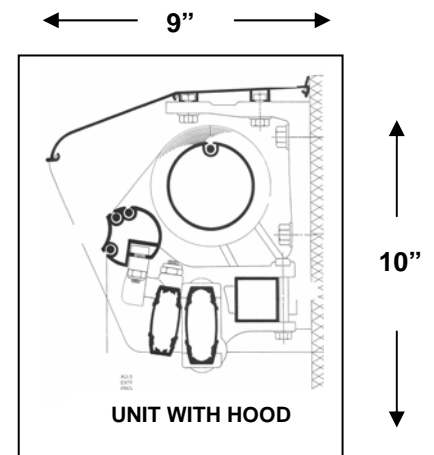
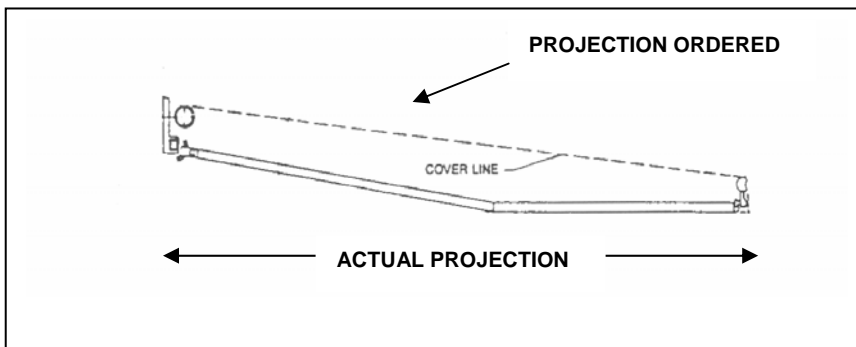
# SUNAIR® MEASURING:

## WIDTH:

The width is based upon the size of the deck. Due to the large sizes of some decks it is not always necessary to cover the entire deck. Make sure the wall is free of down spouts, chimneys and electrical conduit. Any object protruding out from the wall will interfere with the roller mechanism. Note the hood is always 1" wider than the width of the awning frame. The fabric width is always 5" less than the awning frame on units up to 20' wide, and 5 ½" less on units over 20' wide.



The roller assembly of the SUNAIR® measures 8" high without a hood and 10" high with a hood. Be certain that you have at least 8 – 10" of unobstructed mounting surface (see sketch below right).



The SUNAIR® Lateral Arm Awning is designed for residential decks, patios and commercial storefronts. Smaller projections should be used for a storefront awning. The awnings are designed for sun protection; they are not designed to withstand wind or heavy rain and should not be sold for such purposes. As a dealer you are responsible for alerting the customer of the rain and wind restrictions (see warranty). With an ideal pitch the awning may be used in light rain if monitored at all times. If while using the awning during a rainy day make, sure no water buildup occurs on the awning.

## PROJECTION:

Determine the ground clearance above the door or window, and then determine the desired projection. Refer to the pitch chart for the ideal mounting height and pitch for the desired projection. The greater the pitch on the awning the less projection it will have (see pitch chart). When the awning is extended the front bar should be at least 7 ft off the deck or patio. On a commercial installation the distance from the ground to the front bar should be at least 8 ft. The pitch chart indicates that for every 12"

of projection of the awning the mounting brackets should be located 3" higher than the front bar when the awning is extended (3/12 rule).

**For example:** The brackets on an awning with 10' projection needs to be mounted 9'6" from the ground on a residential installation,  $10' \times 3" = 2'6" & 2'6" + 7" = 9'6"$ ). Because the ideal pitch may not always be attained, it is possible to install the awning lower than the ideal pitch. While the "3/12" rule is ideal, it is perfectly fine to install the awning with a 2/12 pitch. A 1/12 pitch is absolute minimum. Maximum pitch is 45°.

**Note:** A good rule of thumb is never to install a Lateral Arm Awning below 8 feet at the top of the installation bracket. If only eight feet is attainable do not install an awning with more than 10'2" projection.

If the installation height is too low or the desired projection is too great for the available space the awning may have to be installed on the roof (see our installation manual).

### **HOOD:**

All awnings should have a hood to protect the fabric roller tube when the awning is installed on an open wall. If the house has an overhang of at least 10", and the awning is fully protected by the overhang when retracted the hood is not needed. The hood system is 1" wider than the width of the awning.

**Note:** AU16C brackets must be used with the "Decora" hood. The AU16 upgrade is included in the Decora Hood price.

### **MOTOR vs. MANUAL:**

Always try to recommend a motor! A motor greatly enhances the product with the ease of operation, and the customer will use the awning more often. The decision to motorize the awning may depend on the budget of the potential buyer. The following information should be taken into consideration when deciding on the type of operation.

- All awnings with a width not exceeding 20 ft can easily be manually operated.
- A 6ft projection is easier to crank than a 10 ft projection.
- At 21ft wide a third arm is added. Operating manually takes longer because the higher ratio gear 8:1 or 13:1 that is used instead of the 4:1 gear used for all awnings up to 20' wide.
- All awnings above 20ft wide should be motorized.

Always offer the CMO (manual override) motor for larger projections. Larger projection awnings are more sensitive to wind gusts and you can still manually operate the awning if a storm arrives and the electricity is shut off.

The RTS motor features an integrated receiver that allows you to operate the awning by remote. With the plug-in cord, you can eliminate the

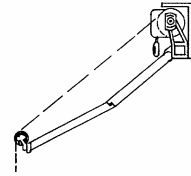
electrician and plug the motor into an exterior outlet. The RTS motor is available in standard and CMO. Maximum unit width for this motor is 25'. Choose either a Telis transmitter or an Inteo wall switch to operate the awning.

**CRANK SIZE:** (manual & CMO motors)

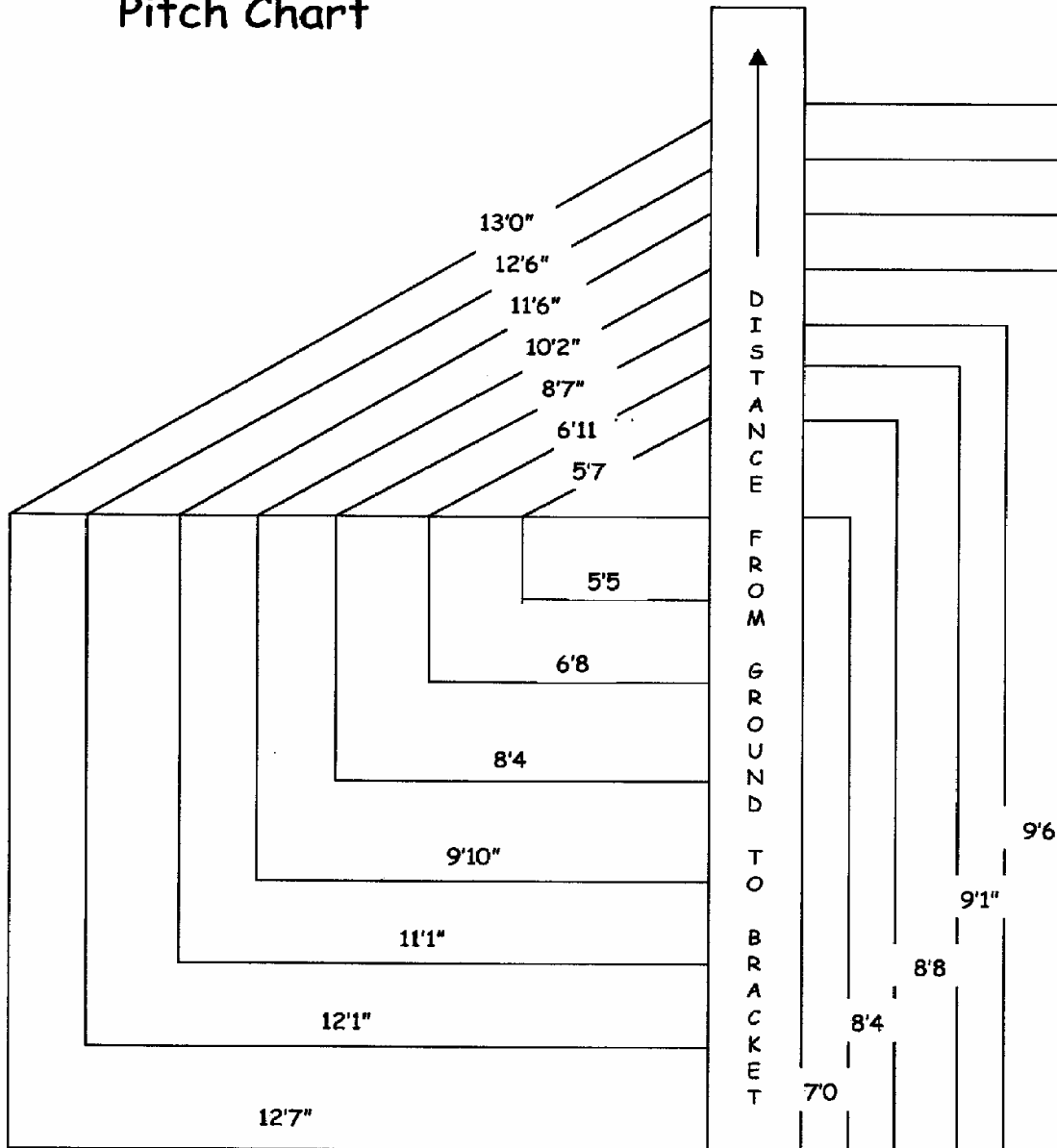
The ideal crank size depends on the mounting height;

**MOUNTING HEIGHT**    **USE A:**

8 ft high	57" crank
9 ft high	65" crank
10 – 11ft high	77" crank
12ft high	97" crank



### Lateral Arm Awning Pitch Chart

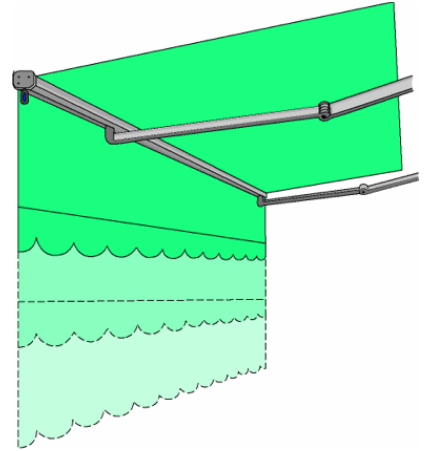
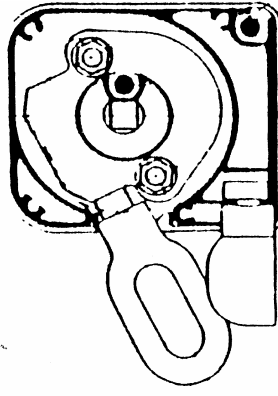


Distance from house wall to front bar →

## VALANCE PLUS

The valance plus is an optional roll down drop valance. This valance is great for extra shade on western exposures when the sun is low in the horizon.

You can choose an acrylic or mesh fabric for the Valance Plus.



The Valance Plus is manually operated with a hand crank. The valance can be lowered up to 4 ft as standard. The valance Plus is available for the Sunair® awning system only using Standard Hood. This option is NOT available for the Suntime®, Sunstar®, or Decora hood.

**NOTE:** Maximum unit width available is 20 ft and maximum projection is 11' 6" feet.

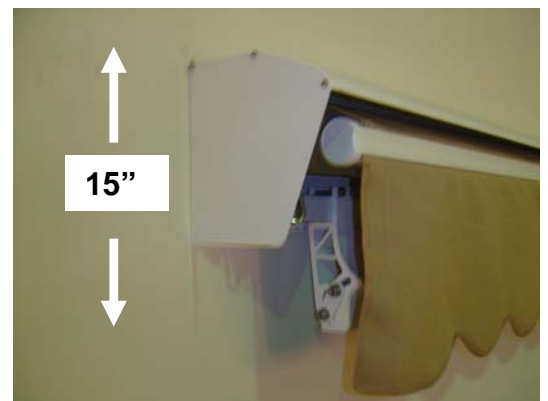
### ***Standard Fabrics:***

Stock SOLTIS 86 mesh collection is standard with the Valance Plus. Darker mesh fabrics are easier to see through if a view is desired through the mesh screen fabric when it is lowered. Acrylic fabric like Para, Sunbrella, and Dickson can also be used to match the top cover.

**NOTE:** Mermet 4500 & 5500 is an upgrade. Please inquire with the office for pricing. Awntex 70 is available by request. Awntex 120 is NOT available.

## SUNAIR® XP CROSS-OVER ARMS

Sometimes the area on the wall to mount the awning is real narrow, but a larger projection is desired. Therefore, the Sunair® XP with crossover arms offers the ability to overlap the arms in order to fit larger projection arms onto a narrow frame. This cross-arm version is available when the projection exceeds the width (See price list). The total height of the system is 15" with a hood. Make sure you have enough space on the wall to accommodate the height of the unit in retracted position. In order to cover the two arms when folded, the valance should also be ordered at 12" high instead of 8"  
Valance plus NOT available with cross over arms





**AWNINGS BY**



**For More Information Call**

**1-800-548-0408**

7785 Rt. 175, PO Box 1068 / Jessup, MD 20794 USA  
410-799-1145 / Toll Free 800-548-0408 / Fax 410-799-5584

**[info@sunairawnings.com](mailto:info@sunairawnings.com)**

**Revised 3/9/06**

**©SUNAIR/AWNINGS UNLIMITED 2006**